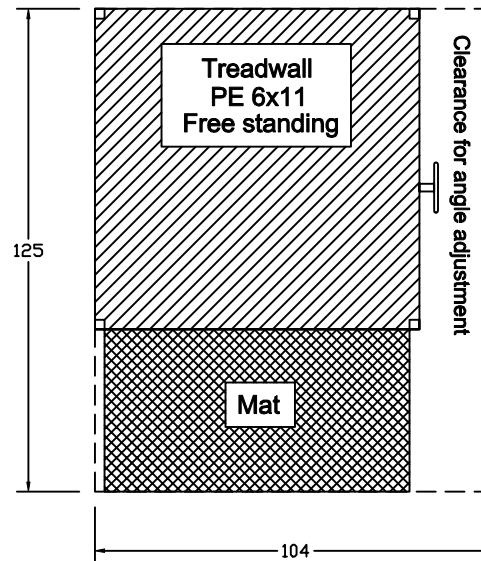
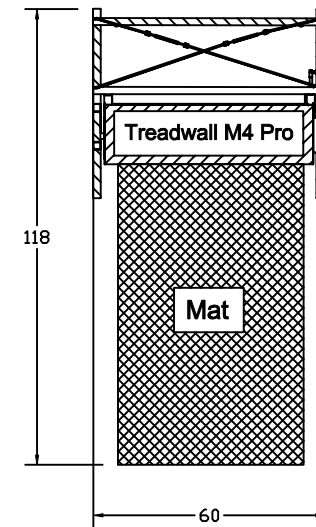


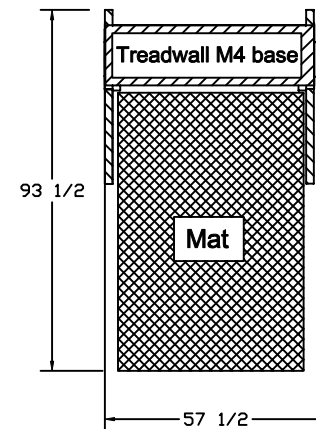
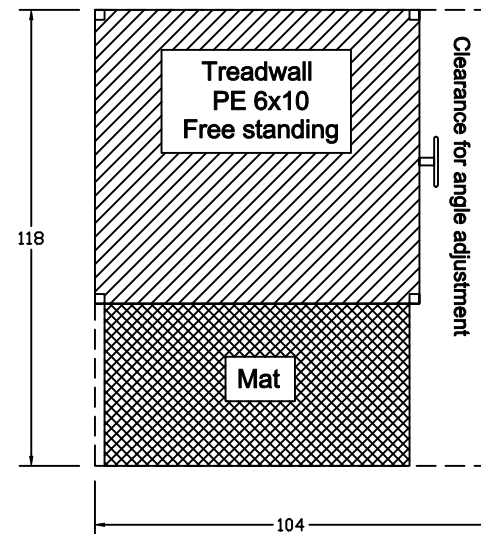
By default, angle adjustment is on right side of Treadwall.  
If space requires, angle adjustment may be on left



By default, angle adjustment is on right side of Treadwall.  
If space requires, angle adjustment may be on left



Model M Treadwalls should have at least 12 inches of space from walls on either side to provide access



## FLOORPLAN 5 sizes - Treadwall climbing simulator.

All dimensions in INCHES

Dwg.# TWFP	Part: TREADWALL FLOORPLANS
	Date: 11-08-07
Material: N/A	
x	x
x	x
x	x
Copyright Brewer's Ledge Inc. (800) 707-9616	